

# ELMARK<sup>®</sup>

The Brand of Electricity

## METAL DISTRIBUTION BOARDS K SERIES



### TECHNICAL DATA »

- ∴ Rated voltage: up to 1000V
- ∴ Material: steel
- ∴ Thickness: 0,80 mm
- ∴ RAL 7035
- ∴ Mounting plate: Galvanized
- ∴ IP code: IP54

### MOUNTING »

- ∴ Vertically on flat surface

## FUNCTIONS »

- ∴ Provide safe from atmospheric conditions and mechanical intervention environment of the equipment mounted in the board
- ∴ Used for protection, providing safety from accidental contact to the current leading parts if working close to the board
- ∴ Prevent from accidental technological switching
- ∴ Used in building, domestic and office automation
- ∴ Used in cases requiring mounting the board outdoors

## APPLICATIONS »

- ∴ Industry
- ∴ Production
- ∴ Residential and office buildings
- ∴ Outdoor installation

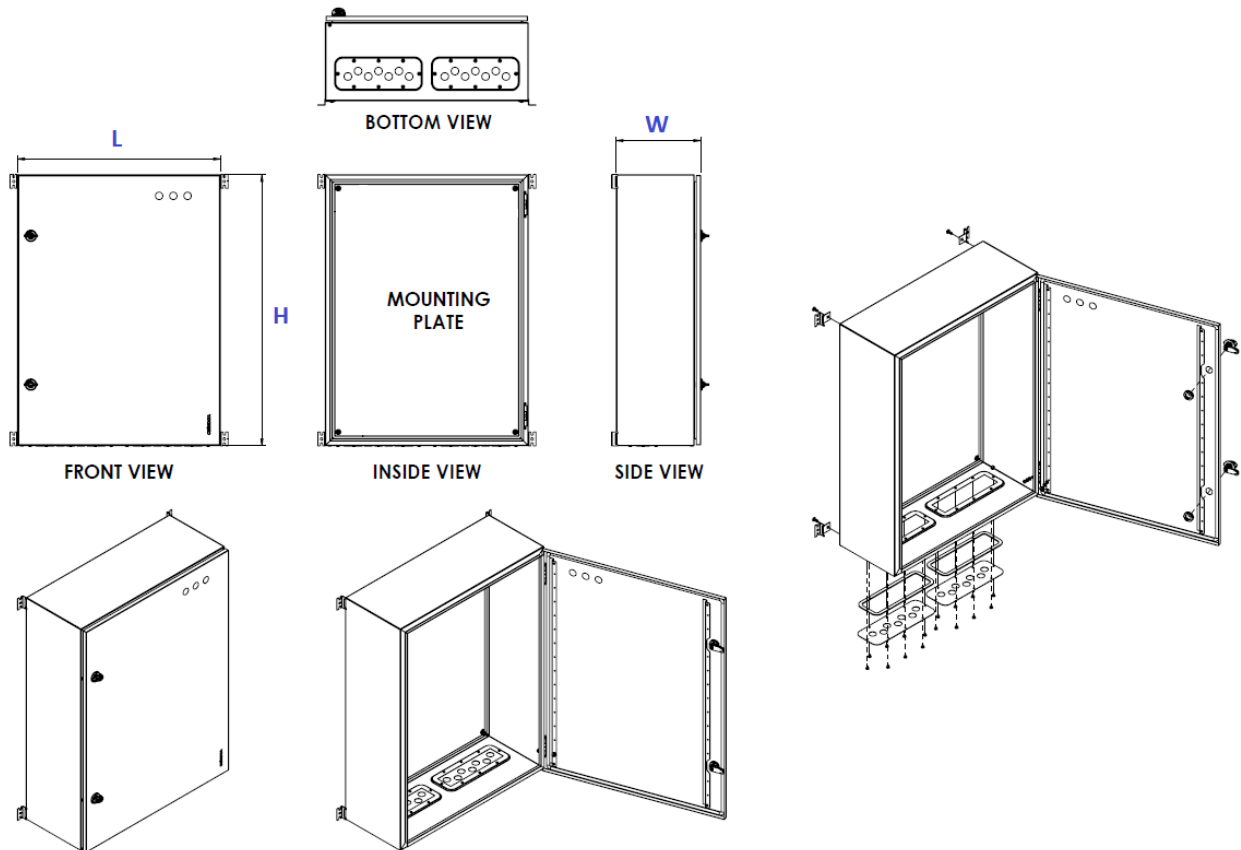
## VARIANTS »



Type	Thickness of metal sheet (mm)	Packing Box/Pcs	Catalogue number
CPK 25/20/15	0,7	1	53020K
CPK 30/25/15	0,7	1	53026K
CPK 40/30/20	0,7	1	53040K
CPK 50/40/20	0,7	1	53050K
CPK 60/40/20	0,7	1	53060K
CPK 70/50/20	0,7	1	53070K
CPK 80/60/25	0,7	1	53080K

# TECHNICAL SPECIFICATION

## DIMENSIONS »



Catalogue number	Dimensions		
	H (mm)	L (mm)	W (mm)
53020K	250	200	150
53026K	300	250	150
53040K	400	300	200
53050K	500	400	200
53060K	600	400	200
53070K	700	500	200
53080K	800	600	250

